


SELF-SUPPORTING TOWERS - ALLOWABLE ANTENNA AREAS (SQ.FT.)

HT.	70 MPH								80 MPH								90 MPH							
	NO ICE				1/2" ICE (NOTE 7)				NO ICE				1/2" ICE (NOTE 7)				NO ICE				1/2" ICE (NOTE 7)			
	#25	#45	#55	#65	#25	#45	#55	#65	#25	#45	#55	#65	#25	#45	#55	#65	#25	#45	#55	#65	#25	#45	#55	#65
10'	19.7	42.5	75.0	175.9	22.8	55.0	99.0	231.4	14.3	30.0	57.0	133.0	15.5	40.0	74.0	174.3	10.5	25.0	45.0	103.6	10.5	30.0	57.0	135.0
20'	14.2	22.0	43.0	117.0	14.4	25.0	52.0	150.0	9.0	16.0	30.0	85.0	7.1	16.0	35.0	105.0	6.9	11.0	23.0	65.0	2.1	10.0	26.0	85.0
30'	6.4	12.0	26.0	76.2	2.5	9.0	27.0	95.0	3.7	7.5	17.0	55.8	0.0	2.7	16.0	65.0	1.7	4.0	12.0	40.0	0.0	0.0	9.0	49.0
35'	3.6	8.7	21.9	61.2	0.0	4.7	22.2	76.4	1.4	4.7	14.5	44.0	0.0	0.0	12.4	53.4		1.9	9.4	32.2		0.0	5.7	37.7
40'	1.5	5.1	15.0	48.8	0.0	0.0	8.0	59.1		1.4	8.0	34.1		0.0	2.5	39.0			4.0	24.1			0.0	25.0
45'		2.3	11.4	39.0			5.5	45.7			5.9	26.2			0.0	28.8			2.2	17.7			0.0	17.2
50'			6.5	29.3			0.0	33.5			1.5	19.7			0.0	19.1				14.5				8.0
55'			4.0	24.4			0.0	25.0				14.5				11.4				7.7				2.6
60'			0.8	18.4			0.0	16.0				9.4				4.1				3.3				0.0
70'				8.7				1.9				1.3				0.0								
80'				0.9				0.0																

NOTES:

1. TOWER DESIGNS ARE IN ACCORDANCE WITH APPROVED NATIONAL STANDARD ANSI/EIA-222-F.
2. ALL TOWERS MUST HAVE "FIXED" BASES. PINNED BASES MUST NOT BE USED.
3. DESIGNS ASSUME TRANSMISSION LINES SYMMETRICALLY PLACED AS FOLLOWS:
 - #25 TOWER - ONE 5/8" LINE ON EACH FACE (TOTAL = 3).
 - #45 TOWER - ONE 7/8" AND ONE 1/2" LINE ON EACH FACE (TOTAL = 3 @ 7/8" & 3 @ 1/2").
 - #55 & #65 TOWERS - TWO 7/8" LINES ON EACH FACE (TOTAL = 6)
4. ANTENNAS AND MOUNTS ASSUMED SYMMETRICALLY PLACED AT TOWER TOP.
5. ALLOWABLE ANTENNA AREAS ASSUME ALL ROUND ANTENNA MEMBERS.
6. ALLOWABLE FLAT-PLATE ANTENNA AREAS, BASED ON EIA RS-222-C, MAY BE OBTAINED BY MULTIPLYING AREAS SHOWN BY 0.6.
7. FOR WIND CONDITIONS WITH ICE, THE ANTENNA AREAS SHOWN INCLUDE 1/2" RADIAL ICE. ANTENNA AREAS WITHOUT ICE MUST NOT EXCEED THE AREAS SHOWN FOR THE NO ICE CONDITION.
8. DO NOT INSTALL OR DISMANTLE TOWERS WITHIN FALLING DISTANCE OF ELECTRICAL AND/OR TELEPHONE LINES.
9. TOWER ERECTION AND DISMANTLING MUST BE DONE BY QUALIFIED AND EXPERIENCED PERSONNEL.
10. INSTALL WARNING PLATE (P/N ACWS) IN A HIGHLY VISIBLE LOCATION.
11. ALL ANTENNA INSTALLATIONS MUST BE GROUNDED IN ACCORDANCE WITH LOCAL AND NATIONAL CODES.
12. FOR FOUNDATION DETAILS SEE DRAWING B870725.

FILE NO. Standard-SSV				
REVISIONS				
REV.	DESCRIPTION	DWN	CHK	APP
2	REDRAWN INTO AUTOCAD FORMAT	JDA	JDM	HA
DATE: Jun/12/2007				
DWG REFERENCE				
 PO BOX 5999 PEORIA, IL 61601-5999 TOLL FREE 800-727-ROHN				
THIS DRAWING IS THE PROPERTY OF ROHN. IT IS NOT TO BE REPRODUCED, COPIED OR TRACED IN WHOLE OR IN PART WITHOUT OUR WRITTEN CONSENT.				
ERECTION PROFILE 10 FT.-- 80 FT. 70, 80 & 90MPH TOWER				
DWN:	RWM	CHKD:	AED	DATE: Sep/24/1987
ENG'R:	TWS			
DRAWING NO:	A871266			REV: 2

JUL03/2007 3:53:15 PM

FOUNDATION AND ANCHOR TOLERANCES
ALL FOUNDATIONS

1. CONCRETE DIMENSIONS - PLUS OR MINUS 1" (25mm).
2. DEPTH OF FOUNDATION - PLUS 3" (76mm) OR MINUS 0".
3. DRILLED FOUNDATIONS OUT OF PLUMB - 1.0 DEGREE.
4. REINFORCING STEEL PLACEMENT - PER A.C.I. 301.
5. PROJECTION OF EMBEDMENTS - PLUS OR MINUS 1/8" (3mm).
6. VERTICAL EMBEDMENTS OUT OF PLUMB - 0.5 DEGREE.

ANCHOR BOLTS

7. MAXIMUM DISTANCE FROM CENTERLINE OF ANCHOR BOLTS TO CENTERLINE OF FOUNDATION - 1/24 OF PIER DIAMETER UP TO A MAXIMUM OF 2" (51mm).
8. ANCHOR BOLT SPACING - 1/16" (2mm).
9. ANCHOR BOLT CIRCLE ORIENTATION - 0.25 DEGREE.
10. ANCHOR BOLT CIRCLE DIAMETER - PLUS OR MINUS 1/16" (2mm).

SELF-SUPPORTING TOWERS

11. FACE SPREAD DIMENSION CENTER TO CENTER OF ANCHOR BOLT CIRCLES - PLUS OR MINUS 1/16" (2mm) OR 1/16" (2mm) PER 20 FT. (6m) OF FACE SPREAD.
12. MAXIMUM DIFFERENCE BETWEEN ANY TWO FOUNDATION ELEVATIONS - 1/2" (13mm).


GUYED TOWERS

13. GUY RADIUS - PLUS OR MINUS 5% OF DISTANCE SPECIFIED.
14. ANCHOR ELEVATION - PLUS OR MINUS 5% OF GUY RADIUS.
15. ANCHOR ALIGNMENT (PERPENDICULAR TO GUY RADIUS) - 1.0 DEGREE.
16. ANCHOR ROD SLOPE - PLUS OR MINUS 1.0 DEGREE.
17. ANCHOR ROD ALIGNMENT WITH GUY RADIUS PLUS OR MINUS 1.0 DEGREE.
18. ANCHOR HEAD OUT OF PLUMB - 1.0 DEGREE.
19. GUY INITIAL TENSION - PLUS OR MINUS 10% OF TENSION SPECIFIED.

NOTE: TOLERANCES IN NOTES 13 AND 14 CAN NOT OCCUR SIMULTANEOUSLY

WARNING!!!


AFTER ANCHOR BOLTS ARE INSTALLED IN CONCRETE HAS TAKEN ITS INITIAL SET, ANCHOR BOLTS MUST NOT BE MOVED, BENT OR REALIGNED IN ANY MANNER. A NUT LOCKING DEVICE MUST BE INSTALLED ON ALL ANCHOR BOLTS.

FILE NO.				
Standard-SSV				
REVISIONS				
REV.	DESCRIPTION	DWN	CHK	APP
8	REDRAWN TO AUTOCAD DATE: Jul/17/2006	JDA	JDM	H.A
DWG REFERENCE				
 PO BOX 5999 PEORIA, IL 61601-5999 TOLL FREE 800-727-ROHN				
THIS DRAWING IS THE PROPERTY OF ROHN. IT IS NOT TO BE REPRODUCED, COPIED OR TRACED IN WHOLE OR IN PART WITHOUT OUR WRITTEN CONSENT.				
FOUNDATION AND ANCHOR TOLERANCES				
DWN:	CSR	CHK'D:	KTL	DATE: Sep/25/1987
ENGR:	XK			
DRAWING NO:	A810214			REV:
				8

Jan/14/2008 3:22:22 PM

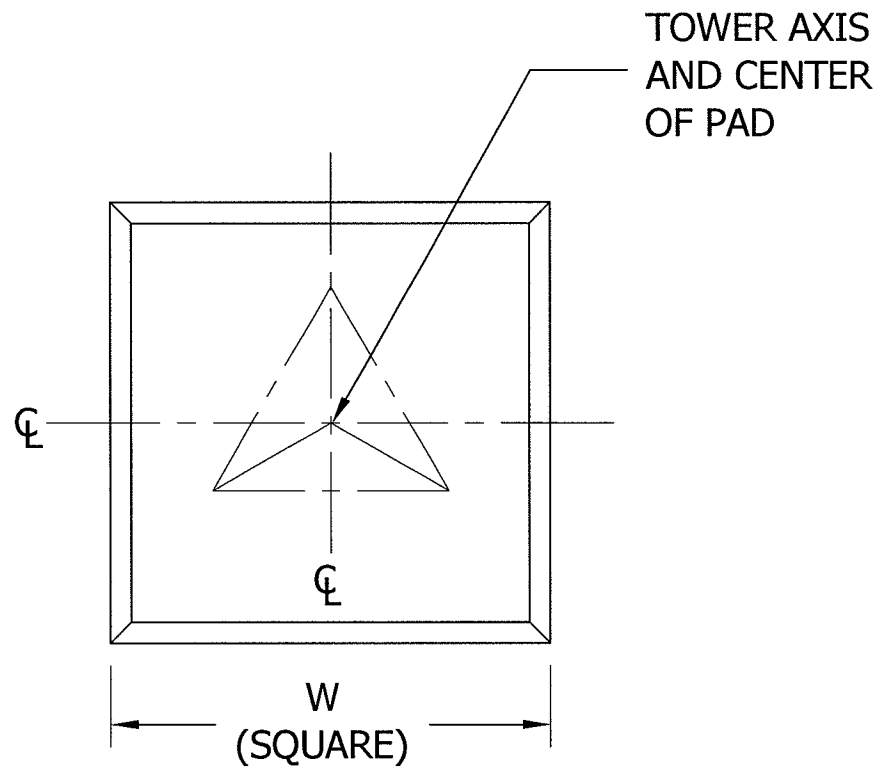
STANDARD FOUNDATION NOTES

1. FOUNDATION DESIGNS ARE IN ACCORDANCE WITH ANSI/TIA/EIA/-222-F, "STRUCTURAL STANDARDS FOR STEEL ANTENNA TOWERS AND ANTENNA SUPPORTING STRUCTURES", SECTION 7, FOR "NORMAL" SOIL CONDITIONS. "NORMAL" SOIL IS DEFINED AS DRY, COHESIVE SOIL WITH AN ALLOWABLE NET VERTICAL BEARING CAPACITY OF 4000 PSF (192 kPa) AND AN ALLOWABLE NET HORIZONTAL PRESSURE OF 400 PSF PER LINEAL FOOT OF DEPTH (62.8 kPa PER LINEAL METER OF DEPTH) TO A MAXIMUM OF 4000 PSF (192 kPa).
2. THE PURCHASER MUST VERIFY THAT ACTUAL SITE SOIL PARAMETERS MEET OR EXCEED E.I.A. "NORMAL" SOIL PARAMETERS AND THAT THE DEPTH OF STANDARD FOUNDATIONS ARE ADEQUATE BASED ON THE FROST PENETRATION AND/OR ZONE OF SEASONAL MOISTURE VARIATION AT THE SITE. FOUNDATION DESIGN MODIFICATIONS MAY BE REQUIRED IN THE EVENT "NORMAL" SOIL PARAMETERS ARE NOT APPLICABLE FOR THE ACTUAL SUBSURFACE CONDITIONS ENCOUNTERED.
3. FOUNDATION DESIGNS ASSUME FIELD INSPECTIONS WILL BE PERFORMED BY THE PURCHASER'S REPRESENTATIVE TO VERIFY THAT CONSTRUCTION MATERIALS, INSTALLATION METHODS AND ASSUMED DESIGN PARAMETERS ARE ACCEPTABLE BASED ON THE CONDITIONS EXISTING AT THE SITE.
4. WORK SHALL BY IN ACCORDANCE WITH LOCAL CODES, SAFETY REGULATIONS AND UNLESS OTHERWISE NOTED, THE LATEST REVISION OF ACI 318, "BUILDING CODE REQUIREMENTS FOR REINFORCED CONCRETE". PROCEDURES FOR THE PROTECTION OF EXCAVATIONS, EXISTING CONSTRUCTION AND UTILITIES SHALL BE ESTABLISHED PRIOR TO FOUNDATION INSTALLATION.
5. ANCHOR BOLTS SHALL MEET OF EXCEED THE REQUIREMENTS OF ASTM F1554-S2, S5 GRADE 105 AND SHALL BE TIGHTENED TO A SNUG TIGHT CONDITION (FULL EFFORT OF A MAN USING AN ORDINARY SPUD WRENCH).
6. NUT LOCKING DEVICE SHALL BE INSTALLED ON ALL ANCHOR BOLTS.
7. CONCRETE MATERIALS SHALL CONFORM TO THE APPROPRIATE STATE REQUIREMENTS FOR EXPOSED STRUCTURAL CONCRETE.
8. PROPORTIONS OF CONCRETE MATERIALS SHALL BE SUITABLE FOR THE INSTALLATION METHOD UTILIZED AND SHALL RESULT IN DURABLE CONCRETE FOR RESISTANCE TO LOCAL ANTICIPATED AGGRESSIVE ACTIONS. THE DURABILITY REQUIREMENT OF ACI 318 CHAPTER 4 SHALL BE SATISFIED BASED ON THE CONDITIONS EXPECTED AT THE SITE. AS A MINIMUM, CONCRETE SHALL DEVELOP MINIMUM COMPRESSIVE STRENGTH OF 3000 PSI (20.7 MPa) IN 28 DAYS.
9. MAXIMUM SIZE OF AGGREGATE SHALL NOT EXCEED SIZE SUITABLE FOR INSTALLATION METHOD UTILIZED OR 1/3 CLEAR DISTANCE BEHIND OR BETWEEN REINFORCING. MAXIMUM SIZE MAY BE INCREASED TO 2/3 CLEAR DISTANCE PROVIDED WORKABILITY AND METHODS OF CONSOLIDATION SUCH AS VIBRATING WILL PREVENT HONEYCOMBS OR VOIDS.
10. REINFORCEMENT SHALL BE DEFORMED AND CONFORM TO THE REQUIREMENTS OF ASTM A615 GRADE 60 UNLESS OTHERWISE NOTED. SPLICES IN REINFORCEMENT SHALL NOT BE ALLOWED UNLESS OTHERWISE INDICATED.
11. REINFORCING CAGES SHALL BE BRACED TO RETAIN PROPER DIMENSIONS DURING HANDLING AND THROUGHOUT PLACEMENT OF CONCRETE.
12. WELDING IS PROHIBITED ON REINFORCING STEEL AND EMBEDMENTS.
13. MINIMUM CONCRETE COVER FOR REINFORCEMENT SHALL BE 3 INCHES (76 mm) UNLESS OTHERWISE NOTED. APPROVED SPACERS SHALL BE USED TO INSURE A 3 INCH (76 mm) MINIMUM COVER ON REINFORCEMENT.
14. CONCRETE COVER FROM TOP OF FOUNDATION TO ENDS OF VERTICAL REINFORCEMENT SHALL NOT EXCEED 3 INCHES (76 mm) NOR BE LESS THAN 2 INCHES (51 mm).
15. SPACERS SHALL BE ATTACHED INTERMITTENTLY THROUGHOUT THE ENTIRE LENGTH OF VERTICAL REINFORCING CAGES TO INSURE CONCENTRIC PLACEMENT OF CAGES IN EXCAVATIONS.
16. FOUNDATION DESIGNS ASSUME STRUCTURAL BACKFILL TO BE COMPACTED IN 8 INCH (200 mm) MAXIMUM LAYERS TO 95% OF MAXIMUM DRY DENSITY AT OPTIMUM MOISTURE CONTENT IN ACCORDANCE WITH ASTM D698. ADDITIONALLY, STRUCTURAL BACKFILL MUST HAVE A MINIMUM COMPACTED UNIT WEIGHT OF 100 POUNDS PER CUBIC FOOT (16 kN/m³).
17. FOUNDATION DESIGNS ASSUME LEVEL GRADE AT THE SITE.
18. FOUNDATION INSTALLATION SHALL BE SUPERVISED BY PERSONNEL KNOWLEDGEABLE AND EXPERIENCED WITH THE PROPOSED FOUNDATION TYPE. CONSTRUCTION SHALL BE IN ACCORDANCE WITH GENERALLY ACCEPTED INSTALLATION PRACTICES.
19. FOR FOUNDATION AND ANCHOR TOLERANCES SEE STRUCTURE ASSEMBLY DRAWING.
20. LOOSE MATERIAL SHALL BE REMOVED FROM BOTTOM OF EXCAVATION PRIOR TO CONCRETE PLACEMENT. SIDES OF EXCAVATION SHALL BE ROUGH AND FREE OF LOOSE CUTTINGS.
21. CONCRETE SHALL BE PLACED IN A MANNER THAT WILL PREVENT SEGREGATION OF CONCRETE MATERIALS AND OTHER OCCURRENCES WHICH MAY DECREASE THE STRENGTH OR DURABILITY OF THE FOUNDATION.
22. FREE FALL CONCRETE MAY BE USED PROVIDED FALL IS VERTICAL DOWN WITHOUT HITTING SIDES OF EXCAVATION, FORMWORK, REINFORCING BARS, FORM TIES, CAGE BRACING OR OTHER OBSTRUCTIONS. UNDER NO CIRCUMSTANCES SHALL CONCRETE FALL THROUGH WATER.
23. CONCRETE SHALL BE PLACED AGAINST UNDISTURBED SOIL EXCEPT FOR PIERS OF PIER AND PAD FOUNDATIONS. FORMS FOR PIERS SHALL BE REMOVED PRIOR TO PLACING STRUCTURAL BACKFILL.
24. CONSTRUCTION JOINTS, IF REQUIRED IN PIER MUST BE AT LEAST 12 INCHES (305 mm) BELOW BOTTOM OF EMBEDMENTS AND MUST BE INTENTIONALLY ROUGHENED TO A FULL AMPLITUDE OF 1/4 INCH (6 mm). FOUNDATION DESIGN ASSUMES TO OTHER CONSTRUCTION JOINTS.
25. TOP OF FOUNDATION OUTSIDE LIMITS OF ANCHOR BOLTS SHALL BE SLOPED TO DRAIN WITH A FLOATED FINISHED. AREA INSIDE LIMITS OF ANCHOR BOLTS SHALL BE LEVEL WITH A SCRATCHED FINISH.
26. EXPOSED EDGES OF CONCRETE SHALL BE CHAMFERED 3/4" X 3/4" (19 mm X 19 mm) MINIMUM.
27. FOR ANCHOR BLOCK TYPE FOUNDATIONS, FOR GUYED TOWERS, THE PORTION OF ALL STEEL ANCHORS, FROM TOP OF ANCHOR BLOCK TO GROUND LEVEL, SHALL BE COATED WITH BITUMEN. DESIGN ASSUMES PERIODIC INSPECTIONS WILL BE PERFORMED OVER THE LIFE OF THE STRUCTURE TO DETERMINE IF ADDITIONAL ANCHOR CORROSION PROTECTION MEASURES MUST BE IMPLEMENTED BASED ON OBSERVED SITE-SPECIFIC CONDITIONS.

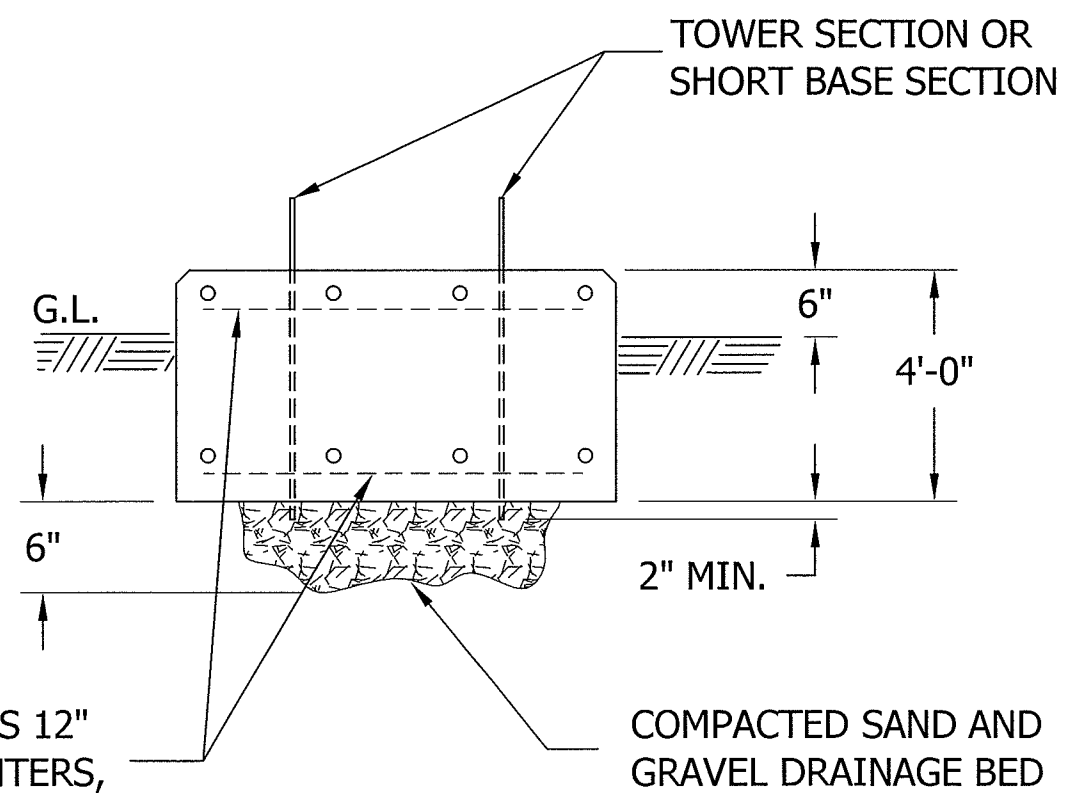
FILE NO. Standard-SSV				
REVISIONS				
REV.	DESCRIPTION	DWN	CHK	APP
11	REDRAWN IN AUTOCAD DATE: Apr/04/2006	M.F	JDM	H.A
12	REVISED NOTE #27: ADDED *FOR GUYED TOWERS DATE: Sep/09/2008	JWS	JDM	HA
DWG REFERENCE				
 PO BOX 5999 PEORIA, IL 61601-5999 TOLL FREE 800-727-ROHN				
THIS DRAWING IS THE PROPERTY OF ROHN. IT IS NOT TO BE REPRODUCED, COPIED OR TRACED IN WHOLE OR IN PART WITHOUT OUR WRITTEN CONSENT.				
FOUNDATION MATERIAL INSTALLATION NOTES				
DWN:	CSR	CHK'D:	H.A	DATE:
				Jun/17/1984
ENGR:	XK			
DRAWING NO:	B841300			REV:
				12

Jun/23/2010 11:51:07 AM

Erection



PLAN VIEW



ELEVATION VIEW

TOWER NO.	OVER-TURNING MOMENT FOOT POUNDS	MAX. ALLOW. SHEAR POUNDS	W	CONCRETE REQUIRED CU. YDS.
25G	6,800	700	4'-0"	2.4
45G	12,800	1,600	5'-3"	4.1
55G	22,900	1,600	6'-0"	5.3
65G	49,600	3,800	7'-9"	8.9

GENERAL NOTES

1. FOR REQUIRED MATERIAL SPECIFICATIONS, INSTALLATION NOTES AND TOLERANCES SEE DRAWING NUMBER B841300.
2. SEE DRAWING NUMBER A871266 FOR MAXIMUM TOWER HEIGHTS AND ALLOWABLE ANTENNA AREAS.

FILE NO. Standard-SSV				
REVISIONS				
REV.	DESCRIPTION	DWN	CHK	APP
1	ADDED INTO AUTOCAD	JDM	JWS	H.A
DATE: Aug/10/2006				

DWG REFERENCE	

ROHN
PRODUCTS LLC
PO BOX 5999
PEORIA, IL 61601-5999
TOLL FREE 800-727-ROHN

THIS DRAWING IS THE PROPERTY OF ROHN. IT IS NOT TO BE REPRODUCED, COPIED OR TRACED IN WHOLE OR IN PART WITHOUT OUR WRITTEN CONSENT.

FOUNDATION
DETAILS SELF-SPRT 25,45,55, & 65 TWRS

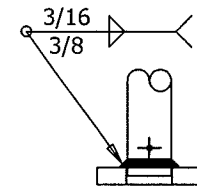
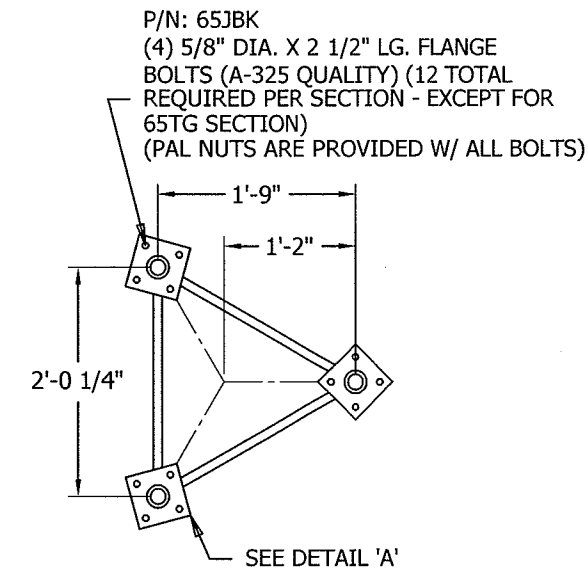
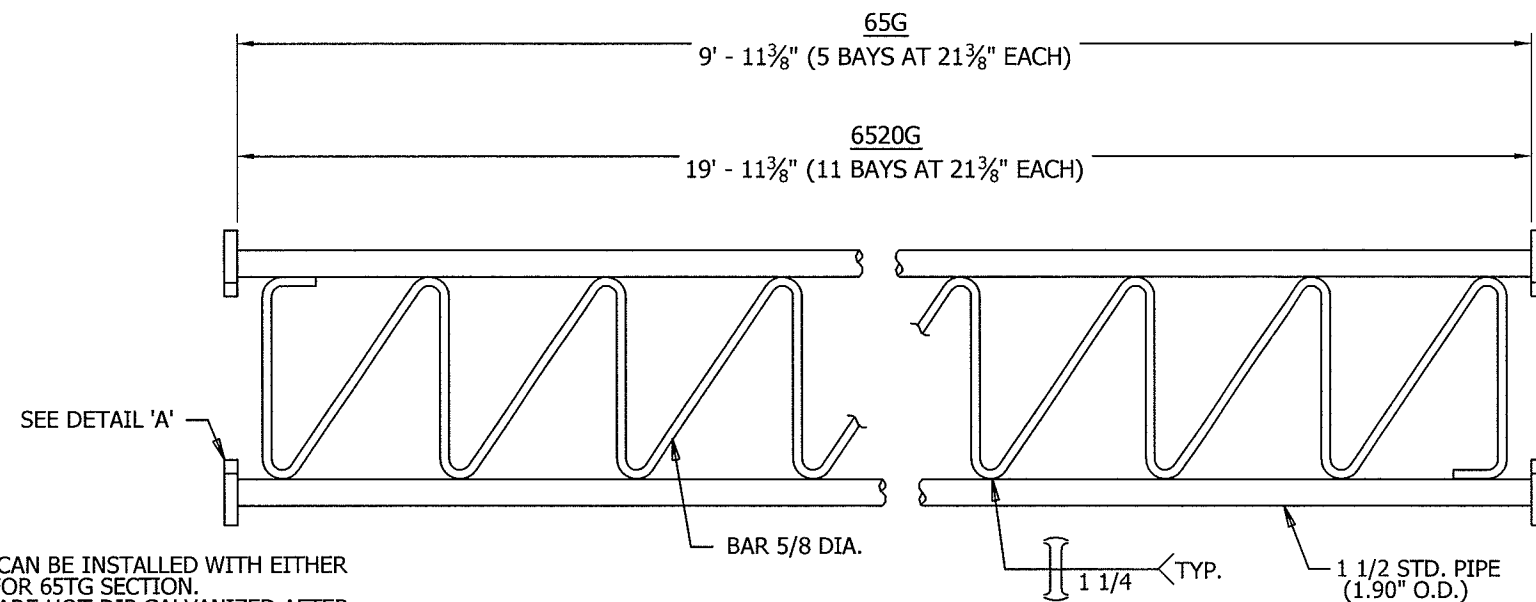
DWN: WDU	CHK'D: TWS	DATE: Feb/19/1988
----------	------------	-------------------

ENG'R: XK	
-----------	--

DRAWING NO: B870725	REV: 1
---------------------	--------

Aug/14/2006 11:26:09 AM

I:\erobov\



7/16" DIA. DRAIN HOLE IS PROVIDED JUST ABOVE THE WELD AT THE BOTTOM OF EACH LEG ON SECTION 65TG ONLY.

DETAIL 'A'

NOTE: ALL SECTIONS CAN BE INSTALLED WITH EITHER END UP, EXCEPT FOR 65TG SECTION.
NOTE: ALL SECTIONS ARE HOT DIP GALVANIZED AFTER FABRICATION.

ASSY P/N 65G SECTION AND ASSY P/N 6520G SECTION

1 - KS148
1 - 65JBK

1 - KS148
1 - 65JBK

SEC.>>	P/N 65G TOWER SECTION PROPERTIES		
ITEM	LEGS	BRACES	SECTION
SIZE	PIPE 1.50 STD.	BAR 5/8 DIA.	N/A
Fy	50.0	36.0	N/A
A	0.799	0.3068	2.40
S	0.326	0.0240	15.71
I	0.310	0.0075	234.9
r	0.623	0.1563	9.90
L	21.4	30.9	VARIES
K	1.0	0.70	1.0
KL/r	34.3	138.4	VARIES
C	28.3	3.20	N/A
T	28.3	N/A	N/A
M	N/A	N/A	49.5

TOTAL SECTION WEIGHT = 191.4 LBS.

SEC.>>	P/N 6520G TOWER SECTION PROPERTIES		
ITEM	LEGS	BRACES	SECTION
SIZE	PIPE 1.50 STD.	BAR 5/8 DIA.	N/A
Fy	50.0	36.0	N/A
A	0.799	0.3068	2.40
S	0.326	0.0240	15.71
I	0.310	0.0075	234.9
r	0.623	0.1563	9.90
L	21.4	30.9	VARIES
K	1.0	0.70	1.0
KL/r	34.3	138.4	VARIES
C	28.3	3.20	N/A
T	28.3	N/A	N/A
M	N/A	N/A	49.5

TOTAL SECTION WEIGHT = 368.7 LBS.

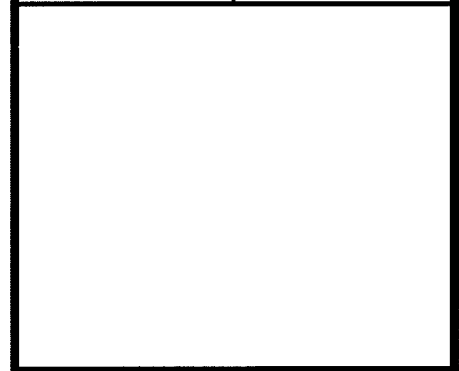
NOMENCLATURE

- A = CROSS SECTIONAL AREA (SQURE INCHES)
- C = COMPRESSION CAPACITY WITH 1/3 INCREASE IN ALLOWABLE STRESS (KIPS)
- Fy = MINIMUM YIELD STRENGTH (KSI)
- I = MOMENT OF INERTIA ABOUT CENTROIDAL AXIS (INCHES**4)
- K = EFFECTIVE LENGTH FACTOR (DIMENSIONLESS)
- L = UNBRACED LENGTH (INCHES)
- M = MOMENT CAPACITY WITH 1/3 INCREASE IN ALLOWABLE STRESS (FT.-KIPS)
- N/A= NOT APPLICABLE
- r = RADIUS OF GYRATION (INCHES)
- S = ELASTIC SECTION MODULUS (INCHES**3)
- T = TENSION CAPACITY WITH 1/3 INCREASE IN ALLOWABLE STRESS (KIPS)

NOTE: CAPACITIES SHOWN ARE BASED ON ANSI/EIA/TIA-222-F-1996.

FILE NO.	Standard-SSV			
REVISIONS				
REV.	DESCRIPTION	DWN	CHK	APP
17	REDRAWN TO AUTOCAD DATE: Jul/19/2006	JDA	JDM	H.A
18	REVISED CALLOUTS DATE: May/31/2007	JDA	KTL	HA
19	REMOVED 65TG SECTION DATE: Jul/23/2007	JDA	JDM	HA

DWG REFERENCE	



PO BOX 5999
PEORIA, IL 61601-5999
TOLL FREE 800-727-ROHN

THIS DRAWING IS THE PROPERTY OF ROHN. IT IS NOT TO BE REPRODUCED, COPIED OR TRACED IN WHOLE OR IN PART WITHOUT OUR WRITTEN CONSENT.

**SECTION ASSEMBLY
65G**

DWN:	CHK'D:	DATE:
CW	WDU	Feb/25/1988
ENGR':	RAM	
DRAWING NO:	REV:	
C630665	19	

Jan/18/2010 1:00:00 PM

1:ection1

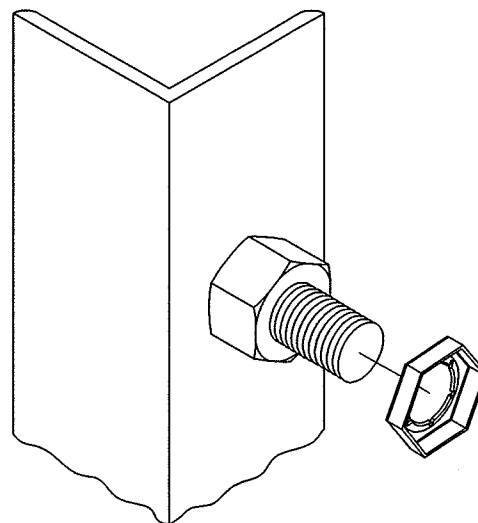
ASSEMBLY BOLT INSTALLATION


1. ALL STRUCTURE ASSEMBLY BOLTS ARE TO BE INSERTED OUT AND/OR UP, (EX. WITH NUTS AND PAL NUTS ON OUTSIDE OF TOWER FACE AND/OR ON TOP FLANGE PLATES) UNLESS PROHIBITED BY LACK OF CLEARANCE.
2. ALL ASSEMBLY AND ANCHOR BOLTS ARE TO BE TIGHTENED IN ACCORDANCE WITH ANSI/TIA/EIA-222-F 1996 SECTION 1.1.3.2 - (WHERE HIGH STRENGTH BOLTS ARE USED FOR BEARING-TYPE CONNECTIONS, AS A MINIMUM, THE BOLTS SHALL BE TIGHTENED TO A "SNUG TIGHT" CONDITION AS DEFINED IN THE NOVEMBER 13, 1985, AISC, "SPECIFICATION FOR STRUCTURAL JOINTS USING ASTM A325 OR A490 BOLTS").
3. FLAT WASHERS ARE TO BE INSTALLED WITH BOLTS OVER SLOTTED HOLES.

CAUTION: DO NOT OVER TORQUE !! GALVANIZING ON BOLTS, NUTS AND STEEL PARTS MAY ACT AS A LUBRICANT, THUS OVER TIGHTENING MAY OCCUR AND MAY CAUSE BOLT TO CRACK AND SNAP OFF.

PAL NUT INSTALLATION

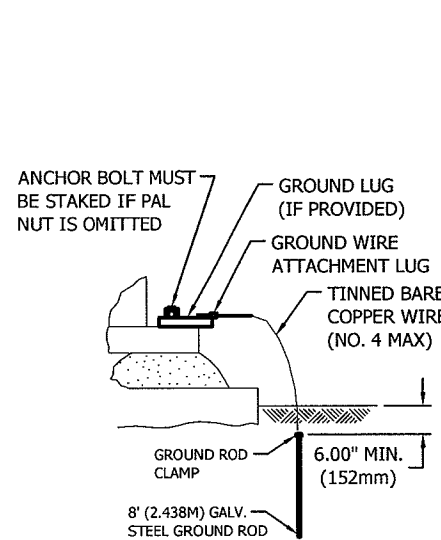
1. PAL NUTS ARE TO BE INSTALLED AFTER NUTS ARE TIGHT AND WITH EDGE LIP OUT (SEE PICTURE). PAL NUTS ARE NOT REQUIRED WHEN SELF-LOCKING NUTS OR LOCK WASHERS ARE PROVIDED.



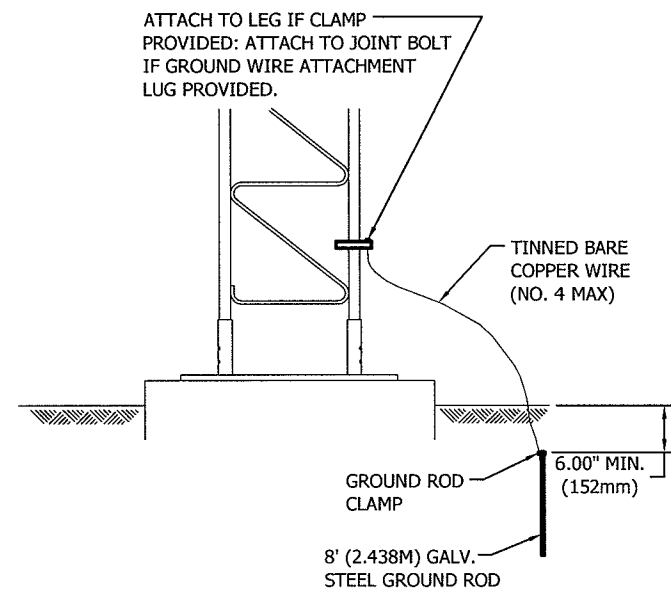
FILE NO.					
Standard-SSV					
REVISIONS					
REV.	DESCRIPTION	DWN	CHK	APP	
1	DATE: Aug/21/2005				
2	DATE: Aug/21/2005				
3	DATE: Aug/21/2005				
4	DATE: Aug/21/2005				
5	DATE: Aug/21/2005				
6	UPDATED DATE: Aug/22/2005	JDM	HA	HA	
DWG REFERENCE					
 PO BOX 5999 PEORIA, IL 61601-5999 TOLL FREE 800-727-ROHN					
THIS DRAWING IS THE PROPERTY OF ROHN. IT IS NOT TO BE REPRODUCED, COPIED OR TRACED IN WHOLE OR IN PART WITHOUT OUR WRITTEN CONSENT.					
BOLT ASSEMBLY INSTALLATION					
DWN:	OH	CHK'D:	DATE: Jul/05/1979		
ENG'R:	TWS				
DRAWING NO:	A790135			REV:	6

Jan/18/2010 1:00:41 PM

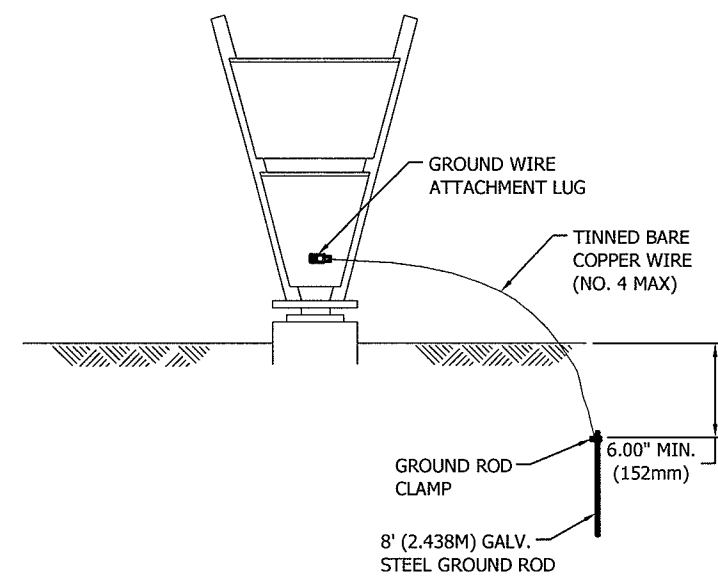
FILE NO.				
Standard-SSV				
REVISIONS				
REV.	DESCRIPTION	DWN	CHK	APP
8	REDRAWN IN AUTOCAD DATE: Jul/20/2006	JDA	JDM	H.A
9	SSC25/875 WAS 340029 DATE: Aug/31/2007	JDA	JDM	HA



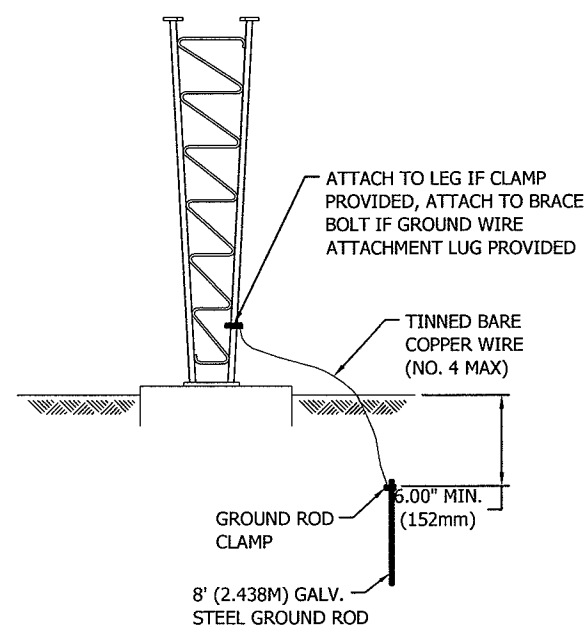
APPLICATION
SELF-SUPPORTING TOWERS AND GUYED TOWERS WITH ANCHOR BOLTS.



APPLICATION
NO. 25, 45 & 55 TOWERS WITH FLAT BASE



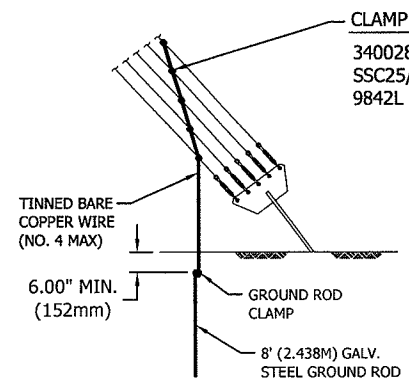
APPLICATION
NO. 25, 45, 55, 36, 48, 80, 90, CC & DD TOWERS WITH TAPERED BASE



APPLICATION
NO. 65 & JJ TOWERS WITH TAPERED BASE

BASE GROUNDING KITS (BGK)

NOTE: REMOVE ALL SHARP BENDS FROM GROUND WIRE



CLAMP NO. :	GUY WIRE SIZE*
340028	: 3/16" - 1/2"
SSC25/875	: 9/16" - 3/4"
9842L	: 7/8" - 1" (SEE DETAIL B801367)

*CLAMP IS NOT INCLUDED IN GROUNDING KIT. MUST BE ORDERED AS A SEPARATE ITEM.

ANCHOR GROUNDING KITS

GUY WIRE GROUNDING (AGK)

DWG REFERENCE



PO BOX 5999
PEORIA, IL 61601-5999
TOLL FREE 800-727-ROHN

THIS DRAWING IS THE PROPERTY OF ROHN. IT IS NOT TO BE REPRODUCED, COPIED OR TRACED IN WHOLE OR IN PART WITHOUT OUR WRITTEN CONSENT.

GROUNDING TOWER METHODS

DWN: AED CHK'D: WDU DATE: Nov/27/1973

ENG'R: CW

DRAWING NO: C731105 REV: 9

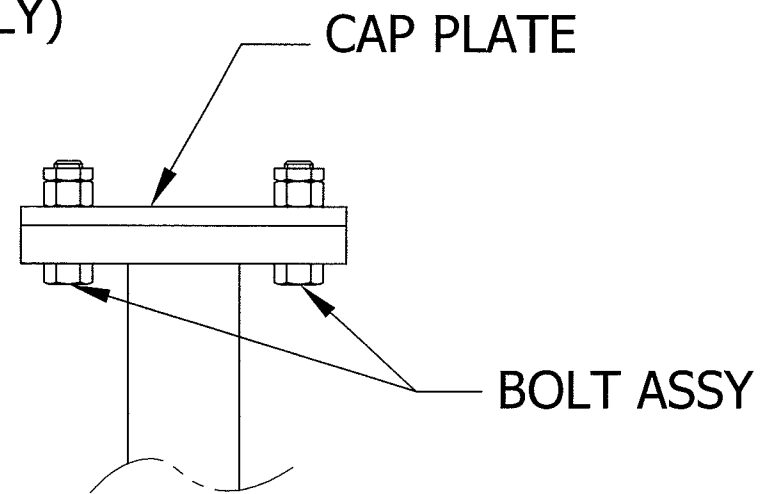
Jan/18/2010 1:01:17 PM

1:erection1

ASSEMBLY #	CAP PLATE		BOLT ASSEMBLY		
	PART #	QTY.	SIZE	PART #	QTY.
CP4A	CP4H	3	5/8X1-3/4	210030GA	6
CP5A	CP50	3	5/8X2	210031GA	6
CP6A	CP60	3	3/4X2	210047GA	6
CP7A	CP70	3	7/8X3	210062GA	6
CP95A	CP95	3	1X3	210067GA	6
CP135A	CP135	3	1X3	210067GA	9
CP17A	CP17	3	1X3-3/4	210068GA	12
CP20A	CP20	3	1X4	210178GA	12
CP21A	CP21	3	1X4	210178GA	12
CP4A 1	CP4H	1	5/8X1-3/4	210030GA	2
CP5A 1	CP50	1	5/8X2	210031GA	2
CP6A 1	CP60	1	3/4X2	210047GA	2
CP7A 1	CP70	1	7/8X3	210062GA	2


REFERENCE DRAWINGS

(** FAB DWG. - FOR SHOP USE ONLY)



CAP PLATE INSTALLATION DETAIL

** CAP PLATE FAB'S --- B760639, B811337, B840867 & B841131
BOLT ASSEMBLIES --- C770404

FILE NO.				
Standard-SSV				
REVISIONS				
REV.	DESCRIPTION	DWN	CHK	APP
10	REDRAWN IN AUTOCAD DATE: Aug/09/2006	DLJ	M.F	H.A
11	ADDED DETAIL DATE: Jan/18/2007	M.F	JDM	H.A
DWG REFERENCE				
 PO BOX 5999 PEORIA, IL 61601-5999 TOLL FREE 800-727-ROHN				
THIS DRAWING IS THE PROPERTY OF ROHN. IT IS NOT TO BE REPRODUCED, COPIED OR TRACED IN WHOLE OR IN PART WITHOUT OUR WRITTEN CONSENT.				
MOUNTING CAP PLATE ASSY CHART				
DWN:	WDU	CHK'D:	O.H	DATE: Sep/20/1976
ENG'R:	CW			
DRAWING NO:	B760739			REV: 11

Jan/22/2007 8:26:36 AM

Erector